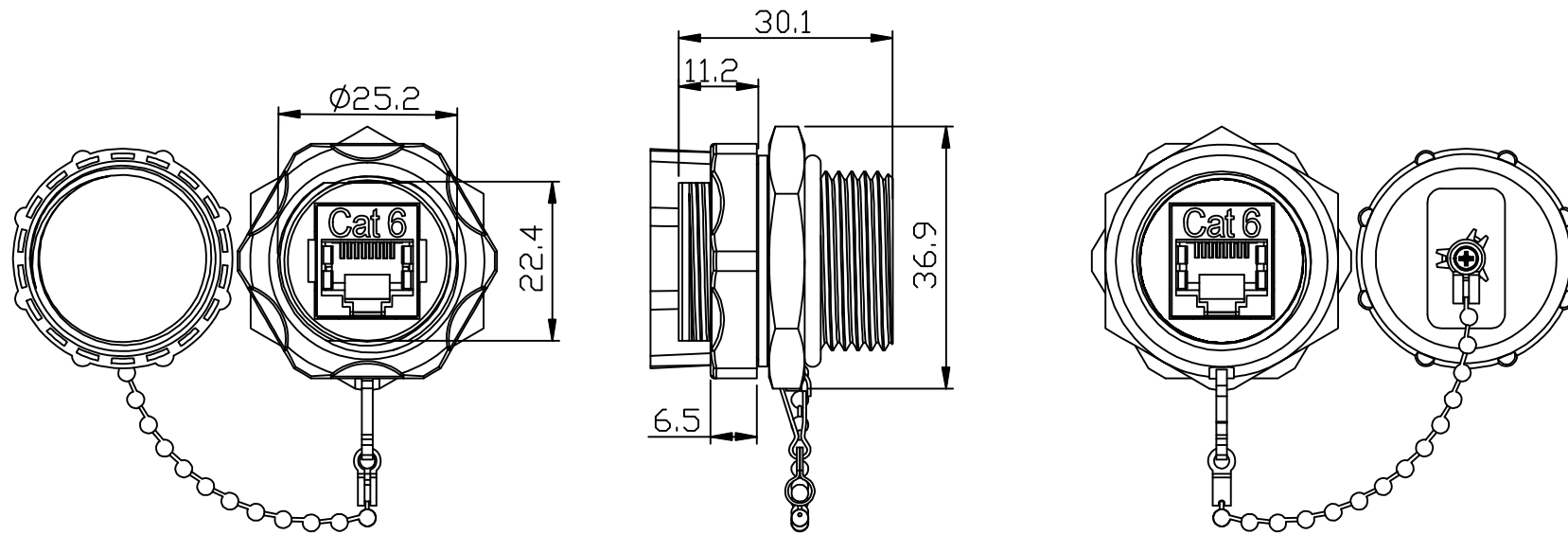


Best/Nr: 111-4211



**MATERIAL**

MAIN BODY : PBT+GF,UL94V-0.  
SHIELDED CASE : BRASS,NICKEL PLATED.  
COUPLER HOUSING : ABS,UL94V-0.  
JACK CONTACTS : PHOSPHOR BRONZE,50U" GOLD PLATED.

**PHYSICAL CHARACTERISTICS**

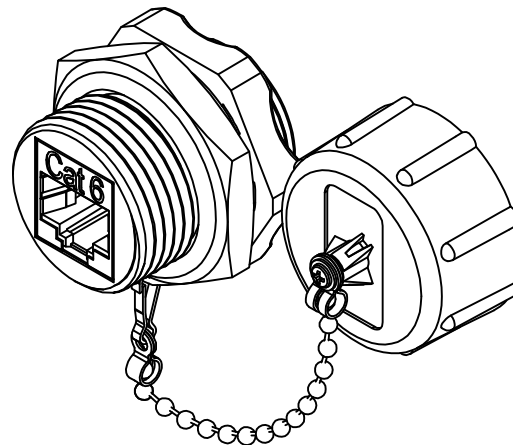
INSERTION LIFE : 750 MATING CYCLES WITH FCC COMPLIANT 8P PLUG.  
CONTACT FORCE : 100 GRAMS WITH FCC COMPLIANT 8P PLUG.  
PLUG RETENTION FORCE : 11 LBF MIN.  
OPERATING TEMPERATURE RANGE : -10 C TO 60 C.  
STORAGE TEMPERATURE RANGE : -40 C TO 68 C.  
HUMIDITY : 10%-90%RH.

**ELECTRICAL**

RESISTANCE : 500 M $\Omega$ .  
DIELECTRIC WITHSTANDING VOLTAGE : 1000 V AC.  
DC CURRENT RATING : 1.5 Amps.  
DC RESISTANCE : 0.1 $\Omega$ .  
CONTACT RESISTANCE : 20m $\Omega$ .  
RoHS 2 compliant

**NOTE**

- ONLY ACCEPT RJ-45 8P8C PLUG.



**IP67**

ACCORDING TO IEC 60529:2001-02  
Degrees of Protection Provided by Enclosures  
6: Dust-tight  
7: Protected from immersion in water for 30 minutes at a depth of 1 meter.

ACCORDING TO : ANSI/TIA-568-C.2  
ISO/IEC 11801 2nd Edition  
IEC 60603-7.

**DIREKTRONIK**

Direktronik AB tel. 08-52 400 700 www.direktronik.se