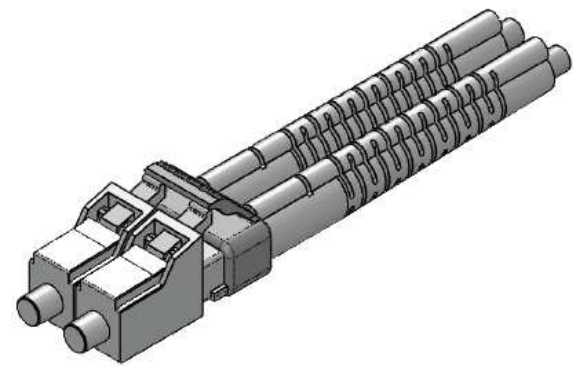
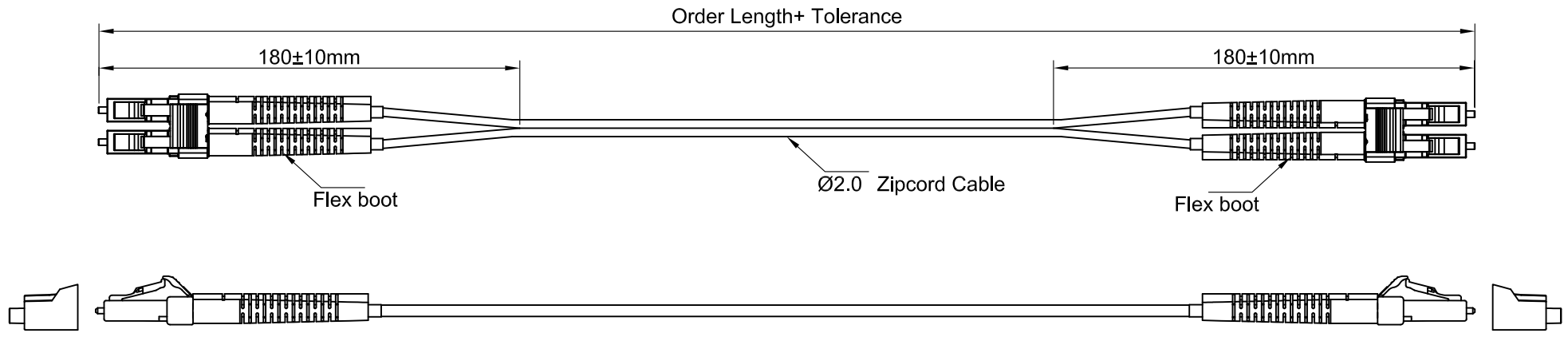


1		2		3		4		5		6	
Order Length	Tolerance					REVISION RECORD					
0≤L≤1M	+50mm/-0	REV		ECO#		DESCRIPTION		DATE		APPROVED	
1<L≤10M	+100mm/-0	V0				Initial Release		2021/07/05		Huang peng	
L>10M	+1%*L/-0										



- Notes:
- 1) Endface standard conforms to IEC-61300-3-35;
 - 2) 3D Geometric parameters conforms to IEC-61755-3-1;
 - 3) IL / RL :
 LC/SC/FC/ST MM(PC) : IL≤0.30dB,RL≥25dB(850nm);
 LC/SC/FC/ST SM(UPC) : IL≤0.30dB,RL≥50dB(1310nm&1550nm);
 LC/SC/FC/ST SMAPC) : IL≤0.30dB,RL≥60dB(1310nm&1550nm);
 - 4) Polarity:A-B ,B-A;
 - 5) Neutral packing;
 - 6) Drawing connector graphics are only for reference, please refer to the actual product;
 - 7) Products comply with RoHS 2011/65/EU.

THIRD ANGLE PROJECTION		TYPE	NAME	DATE
		DRAWN	Leo	2021/07/05
TOLERANCE ON DECIMALS		CHECKED	Shang Hu	2021/07/05
X=±0.5	X°=±0.5°	ENG APPR.	Huang Peng	2021/07/05
.X=±0.10	.X°=±0.10°	MFG APPR.		
.XX=±0.05	.XX°=±0.05°	Q.A.		
.XXX=±0.005	.XXX°=±0.005°			
MATERIAL:				
UNIT:				
Metric/mm				

DIREKTRONIK
 Dataprodukter utöver det vanliga

Artikelnr:20102040

SIZE	DWG. NO.	REV
A4	SPEC-013	V0
SCALE: 1:1	QTY: 1	PAGE: 1 OF 1

A

A

B

B

C

C

D

D

1

2

3

4

5

6