

# Data Sheet

## Smart Sensor



Best.nr: 20103958

### Description

As a member of the MICROSENS Smart Building Solutions family, the Smart Sensor delivers data on environmental information to a MICROSENS Smart Lighting Controller.

The MICROSENS Smart Sensor is designed to measure ambient light level, room temperature and humidity, as well as to detect the presence of persons. As a required component for MICROSENS Smart Office solutions the Smart Sensor is deployed to capture and provide actual value data via a Smart Lighting Controller to the MICROSENS Smart Director App. The Smart Director App is running on a MICROSENS G6 Switch.

Continuing their tradition of providing innovative products and solutions, MICROSENS introduces the second generation of the MICROSENS Smart Sensor now.

The Smart Sensor will be mounted in the ceiling in direct near to a LED lamp. The sensor data are indirectly transferred to the Smart Director via the Smart Lighting Controller of the respective LED Lamp.

### Features

- Presence detection
- Measurement of ambient light level
- Measurement of temperature
- Measurement of humidity
- RGB LED to be used as indicator of sensor status
- Data interface to Smart Lighting Controller
- Powering through Smart Lighting Controller
- Plug and play

## Specifications

### Smart Lighting Sensor

- Capture of environmental data on
  - Presence
  - Ambient light level
  - Temperature
  - Humidity
- Direct transfer of captured data to MICROSENS Smart Light Controller

### Connectors

- Connection to Smart Lighting Controller through fixed cable with RJ-45 connector

### Power supply

- Supplied by Smart Light Controller

### Mounting

- Snap-in-mounting

## Technical Specifications

### Measurement

<b>Temperature</b>	Metering range: 0..+60 C Accuracy +/- 0,3 %
<b>Humidity</b>	Metering range: 10..80%, non-condensing Accuracy +/- 2 %RH
<b>Brightness</b>	0 – 100 %, designed for Smart Director App
<b>Motion</b>	Detection Range: Ø 5 m @ 2,5 m mounting height

### Connector to Smart Lighting Controller

<b>Approved Controller</b>	MICROSENS Smart Lighting Controller MS660102M
<b>Connector type</b>	Fixed twisted-Pair cable with RJ-45 connector, unshielded
<b>Cable length</b>	1 m, May not be extended

### Power Supply

<b>Source</b>	MICROSENS Smart Lighting Controller
<b>Power Consumption</b>	minimum: 60 mW, maximum: 100 mW

### Environmental Conditions

<b>Temperature</b>	Typical: 25 C Operation range: 0..+60 C Storage: -20..+85 C
<b>Humidity</b>	10..80%, non-condensing

### Mechanical

<b>Dimensions</b>	60 x 55.3 mm (Diameter x height, without connectors)
<b>Mounting hole</b>	42 mm
<b>Thickness of mounting surface</b>	6 mm (min) – 25 mm (max)
<b>Weight</b>	Approx. 98 g
<b>Protection Class</b>	IP30

### Standards

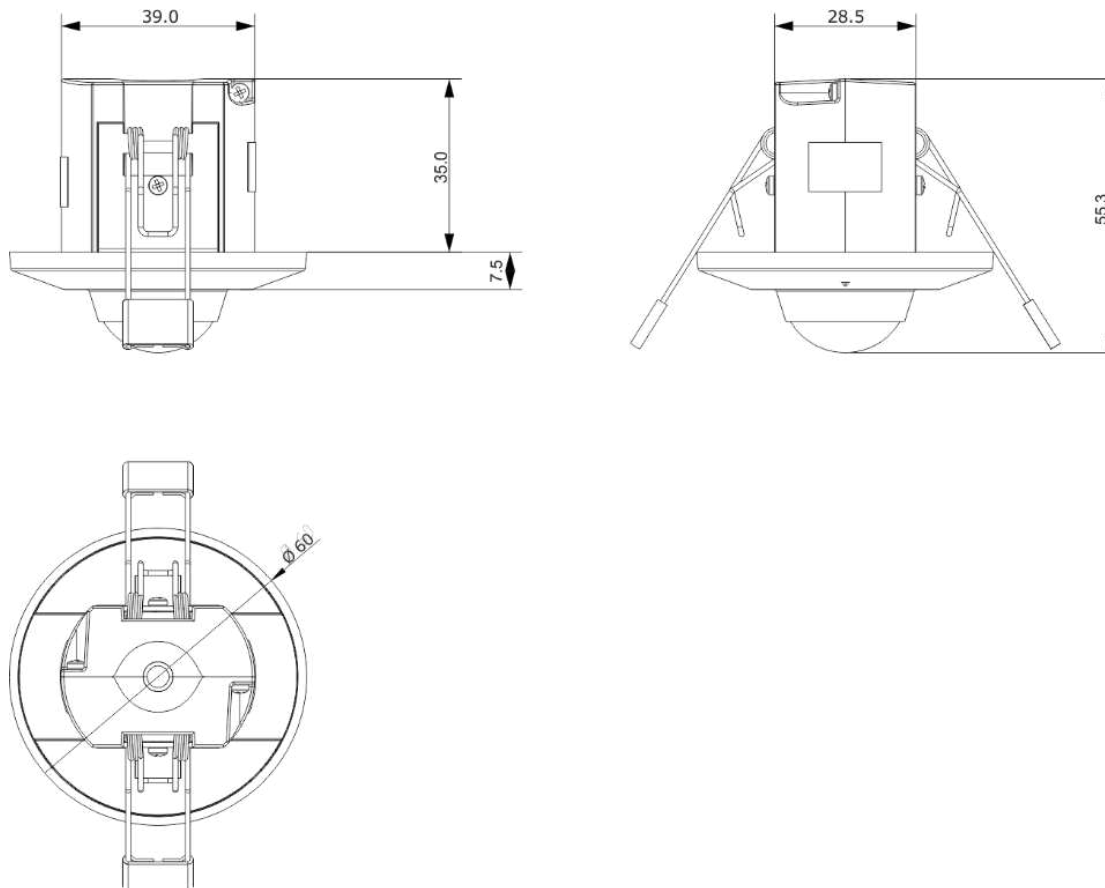
<b>CE</b>	2014/30/EU (EMC Directive) 2011/65/EU (RoHS Directive)
<b>REACH</b>	1907/2006/EC
<b>Safety</b>	EN 60950-1
<b>EMC Emission</b>	EN 55015
<b>EMC Immunity</b>	EN 61547

### Delivery / Contents

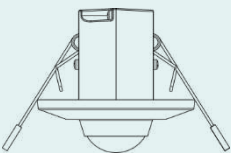
#### Standard Packaging

<b>Package unit</b>	1 pc.
<b>Contents</b>	1x Smart Sensor

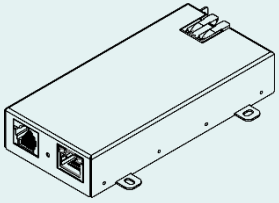
## Dimensions



## Ordering Information

	<b>Description</b>	<b>Article-No.</b>
	<b>Smart Sensor</b> Generation 2 (compatible with MICROSENS Smart Lighting Controller MS660102M)	
	Smart Sensor Integrated sensor for presence detection, light level, temperature and humidity; cable l=1m, RJ-45 connector compatible with MS660102M (required)	20103958

## Accessories

	<b>Description</b>	<b>Article-No.</b>
	<b>Smart Lighting Controller</b> Generation 2 (compatible with MICROSENS Smart Sensor MS660202 )	
	Smart Lighting Controller Network powered controller for LED lighting Slim-Format, 1x RJ-45 jack for 10/100Base-TX, PoE+ PD input, max.30W, 1x RJ-45 jack for MICROSENS Smart Sensor MS660202, 1x Current Output for LED Light	20103957