

# Specification Document

Model	Rack Mount Patch Panel	Name	Document NO	Version	REV.01
-------	------------------------	------	-------------	---------	--------

Max Cores	
Adapter Type	Cores
LC	144

A

B

C

D

E

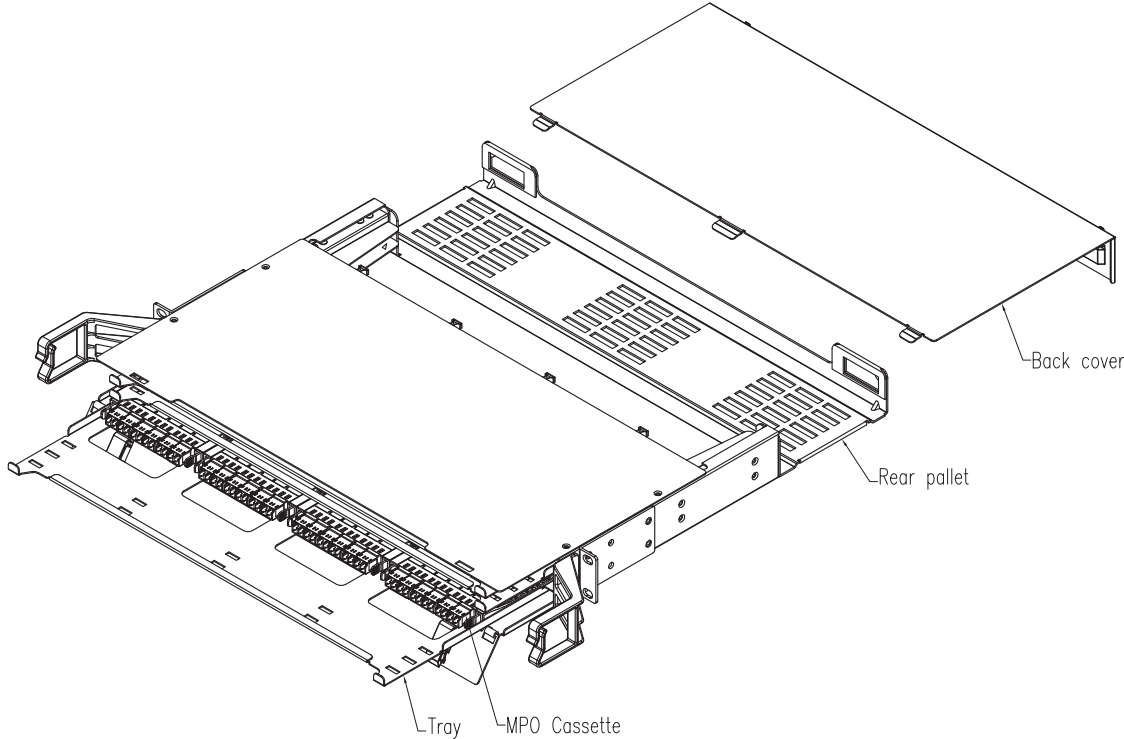
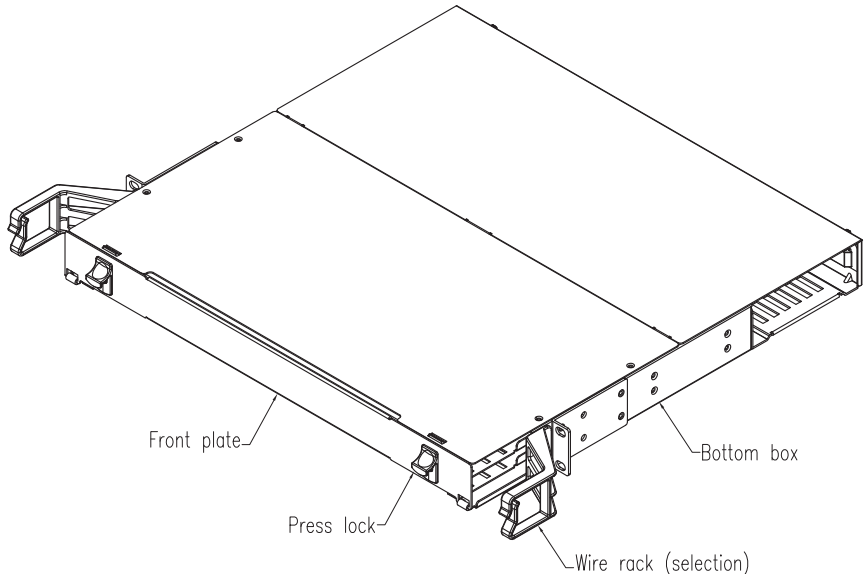
A

B

C

D

E

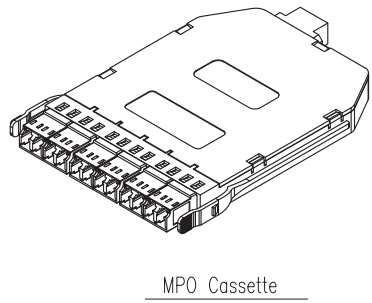


**Product Description:**

- 1, Product size (wide-deep-high): 482.6mmX455mmX44mm;
- 2, Apply to 19inch rack installation;
- 3, Surface: powder coating black(RAL9005);

**Accessories package:**

- 5\*150 Cable ties X12
- Magic stick strip 12X100mm
- ∅4 Winding tube 6X100mm



Drawn By: W. Liu                      Checked By: M.C.Wu                      Approved By: W. Liu