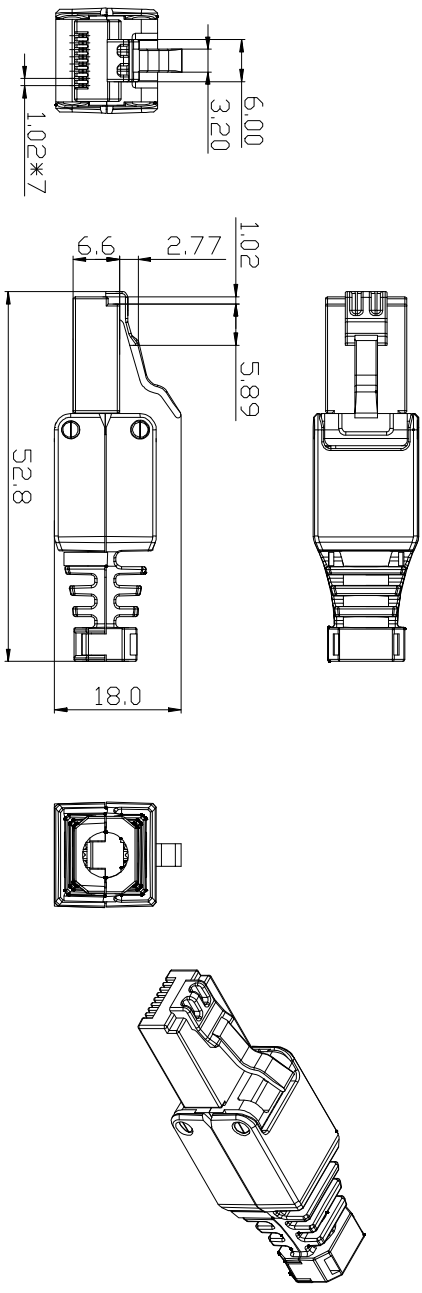


Best.nr: 11-3000



- ELECTRICAL:**
1. CONTACT RESISTANCE: 20M OHMS MAX
 2. INSULATION RESISTANCE: 100M OHMS @500V DC
 3. WITHSTAND VOLTAGE: DC1000V AC700V RMS 60HZ, 1MIN
 4. CAT5E PERMANENT LINK: CONFORM TO ANSI/TIA/EIA 568B, 2-10

- ENVIRONMENTAL:**
5. STORAGE: -40° / +70°
 6. OPERATION: -10° / +60°

- MECHANICAL:**
7. PLASTIC MATERIAL: PC UL 94-V0
 8. IDC MATERIAL: PC
 9. TERMINAL: PHOSPHOR BRONZE, TIN GOLD 3U''/6U''/15U''/30U''/50U''
 10. R/45 CONTACT LIFE: 750 TIMES MIN
 11. IDN LIFE: 250 TIMES MIN

- TYPE:**
12. UNSHIELDED CAT5E TOOLLESS PLUG
 13. COLOUR: WHITE

更改 REV	日期 DATE	修改内容 MODIFICATION	修改 DRAWN
-----------	------------	----------------------	-------------

DIMENSION IN mm (inch) TOLERANCE UNLESS OTHERWISE SPECIFIED		材质 MATERIAL	图号 DWG. NO.
X±0.20	.X°±5°	名称/料号 TITLE	CAT5E UTP PLUG/
.XX±0.10	.XX°±2°	制图 DRAWN	比例 SCALE
审核 APPROVAL	校对 CHECKED	角法 FOLD	张数 SHEET
			修改 REV