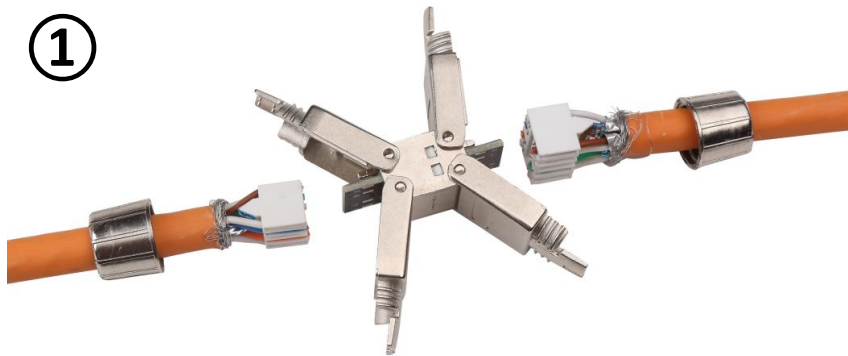




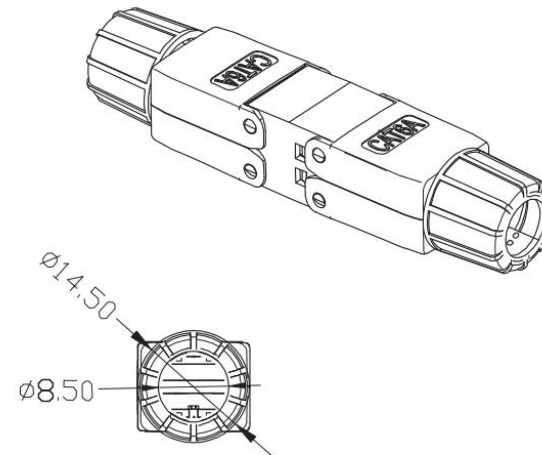
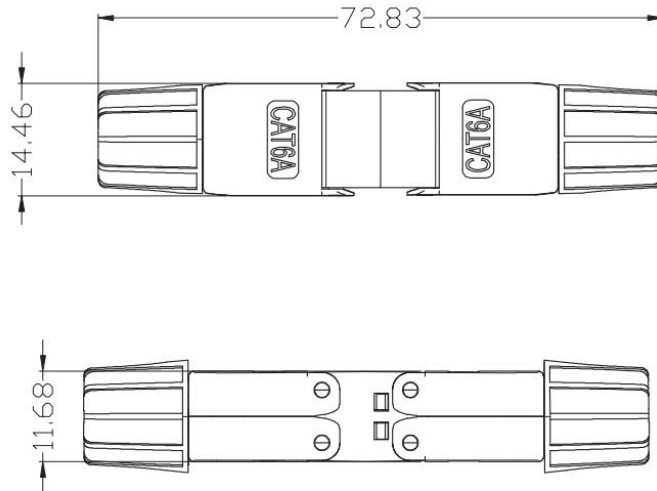
PATENTED

①



②





**TYPE:**

1. CAT.6A SHIELDED TOOLLESS CONNECTOR
2. COLOUR: SILVER
3. ROHS,REACH COMPLIANT

**CABLE MATCHED:**

1. SOILD AND STRANDED
2. 22AWG/23AWG/24AWG

**ELECTRICAL:**

1. CONTACT RESISTANCE: 20m OHM
2. INSULATION RESISTANCE:  $\leq 500M$  OHM @100 V DC
3. WITHSTAND VOLTAGE: DC1000V AC700V RMS 60Hz, IMIN
4. CAT6A PERMANENT LINK: CONFORM TO ANSI/TIA/EIA 568B. 2-10

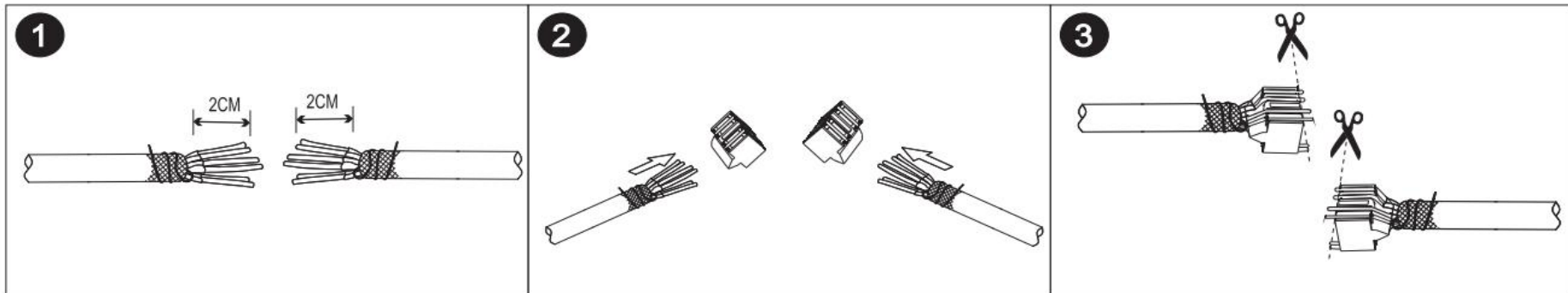
**ENVIRONMENTAL:**

1. STORAGE:  $-40^{\circ}$  /  $+70^{\circ}$
2. OPERATION:  $-10^{\circ}$  /  $+60^{\circ}$

**MECHANICAL:**

1. SHIELDED MATERIAL: ZINC ALLOY
2. PLASTIC MATERIAL: NEW PC
3. TERMINAL PINS: PHOSPHOR BRONZE, ZIN PLATING
4. RJ45 CONTACT LIFE: 750 TIMES MIN
5. IDC TERMINAL LIFE: 250 TIMES MIN

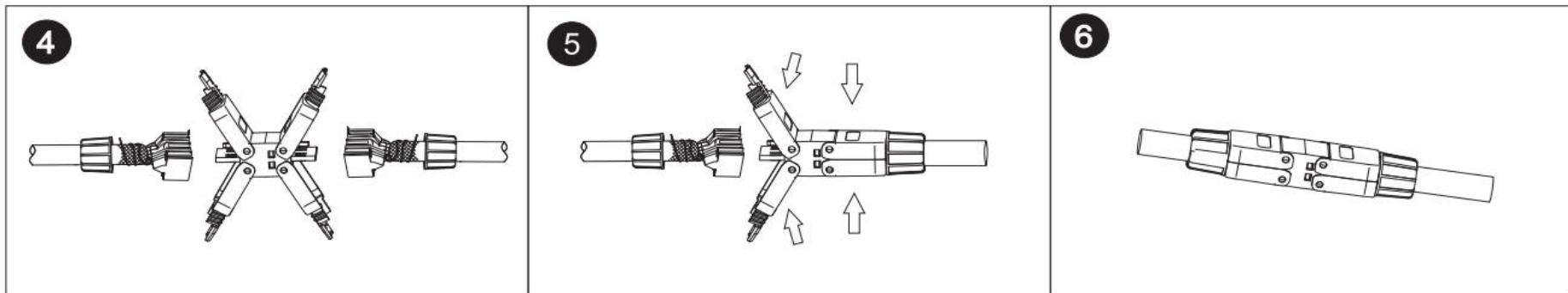
## CAT6A SHIELDED TOOLLESS CONNECTOR INSTRUCTION MANUAL



1 TAKE OF THE CABLE JACKET BY TOOL ABOUT 2CM

2 PUT CABLE INTO IDC ACCORDING TERMINAL T568

3 CUT AWAY THE EXTRA WIRES



4 TO INSERT IDC INTO PCB

5 PRESS DOWN BOTH SIDE METAL HOUSING UNTIL THE WIRE INTO THE IDC PIN CHASE

6 THE FINISHED PRODUCT