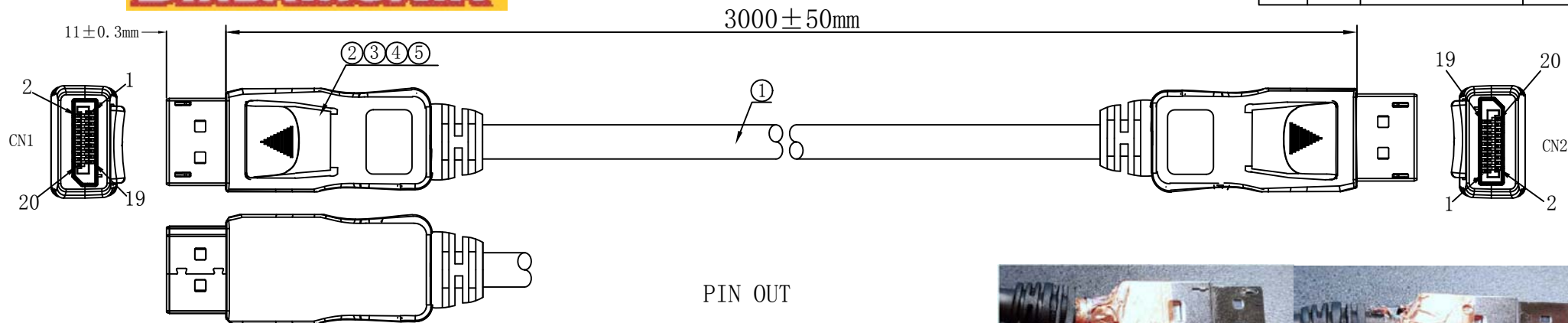
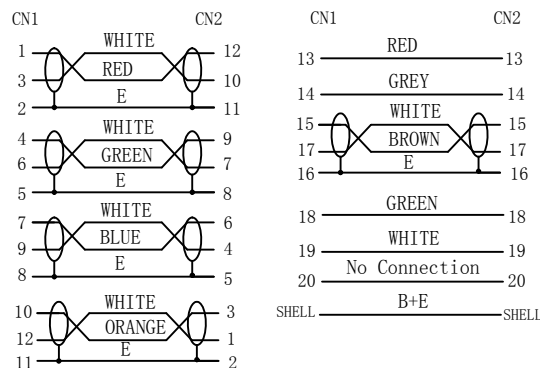




REVISIONS			
REV	DATE	DESCRIPTION	APPRO. BY



PIN OUT



NOTE:

1. Electrical test:

- (1). 100% open short & miss wire test;
- (2). Insulation resistance: DC 200V 10MΩ MIN;
- (3). Contactor resistance: 5Ω MAX;

2. RoHS & Reach Compliant.

3. PRINT WORD: DisplayPort Cable AWM STYLE 20276 80°C 30V VW-1

4. Display Port 1.4 Version

MATERIAL LIST:

⑤	PLASTIC HOOD	COLOR/BLACK	2	
④	OUTER MOLD	PVC 88A COLOR:BLACK	2	
③	INNER MOLD	LD-PE NATURE IN COLOR	2	
②	CONNECTOR	DisplayPort 20P/Male, The pin Gold plated, The shell Nickel plated	2	
①	CABLE	DP 1.4V 28AWG (1/0.32BC*2C+E+AL+HM)*5+1/0.32BC*4C+F+AEB E=1/0.32BC B=0.12mm/8*16 AL-MG JACKER:PVC/BLACK OD:7.3±0.2mm	1	
NO.	PARTS. NAME	SPECIFICATION STANDARD	QT' Y	REMARK



DRAWING	TITLE	Display Port DP/M-DP/M
UNIT	mm	SCALE
REV	A/0	
DRAWN BY	CHECK BY	APPRO BY
Zhouqinghua		
DATE		2019/12/20

