

2-Fiber Detachable Dual Link DVI module, &)!\$&&+



Descriptions

New optical dual link DVI extender, **Stretch DVI™** is designed compact enough for its transmitter and receiver to be directly plugged to your PC and displays. The **Stretch DVI™** with the same mechanical dimension for each of transmitter and receiver enables to transparently transmit the digital uncompressed video data of dual link DVI, WQXGA (2560x1600) at 60Hz or WQUXGA (3840x2400) at 33Hz refresh ratio using leading-edge OPTICIS technology that transmits seven (7) data channels over two (2) multi-mode fibers.

At such data bandwidth, DDFX-100 can extend up to 500 meters (1640feet) much over the limits of copper wire extension, without any distribution amplifier or repeater. The transmitter is powered either through the DVI pin from the PC or by a +5V power adaptor with an auto-power switching circuit. The receiver needs a +5V power adaptor to drive.

For better installation flexibility, a unique patent pending feature so called as Self-EDID management is implemented in the transmitter to which is emulated the EDID in the display by just plugging the transmitter to it before installation.

Key Features

- Designed in a thin and sleek shape with metal enclosure so as to directly hook up the PC or display.
- Supports up to **WQXGA (2560x1600) @60Hz** or **WQUXGA (3840x2400) @33Hz**.
- Transmits signal up to **500m over two (2) LC multi-mode fibers**.
- Provides **Self-EDID** management, emulating the EDID in the transmitter.
- Supports wide operating temp. range, **0-50 degree**.
- Provides indicators; **Power-on** and **Status** (signal transmission and EDID learning) in the Tx, and **Power-on** and **Status** (Signal detection) in the Rx.
- Size: 39mm x 72mm x 15mm (W x D x H)
- Certification: FCC/CE
- Supports **Auto-power switching** function in the Tx.

Applications

- Medical imaging system
- Video wall / Control room
- Film production and editing
- Military / Aerospace

2-Fiber Detachable Dual Link DVI module, &) ! \$ & & +

Technical Features

Max. Resolution	WQXGA (2560 x 1600) @60Hz WQUXGA (3840 x 2400) @33Hz
PER (500m)	< 10 at UXGA @60Hz
Bit rate	1.65Gbps / Ch
EDID	Self-EDID (Emulating the EDID in Tx)
Power Supply	Auto-switching in Tx, DC Power supply
Indicators	Power (Both), LD (Tx), SD (Rx)

Optical

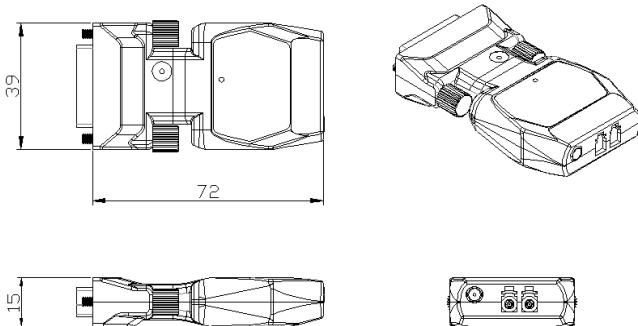
Fiber Type	Multi-mode
Number of Fiber	2
Termination	LC duplex
Distance	500m over Multi-mode fiber

Physical

Dimension	39 x 72 x 15mm (W x D x H)
Enclosure	AL die-casting
Power Level	100-240VAC, 50~60Hz 5VDC @1A
Power consumption	Tx: 1.9W, Rx:1.7W
Operating Temp.	0 ~ 50°C
Operating Humid.	0 to 85% RH, non-condensing

Drawing Dimension [mm]

39 x 72 x 15mm (W x D x H)



Connection Diagram

