



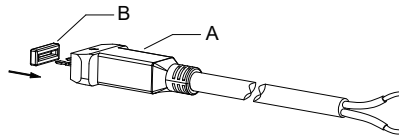
DIREKTRONIK

230V LED stripe IP65

End cap with power cord connection for outdoor use

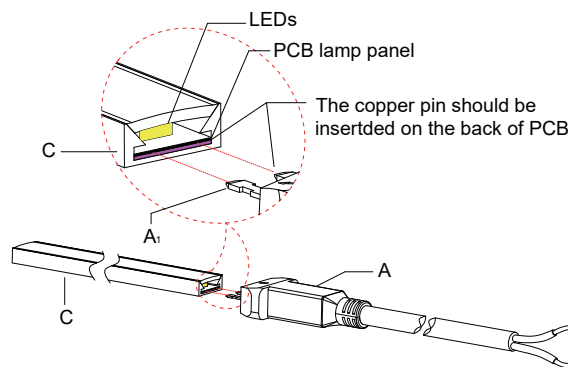
Attention:for step 2 and step 5,inside should be filled with silicone glue
(For bruk i tørre omgivelser er det ikke nødvendig å bruke silikon)

1



Put the rubber ring into plug A.

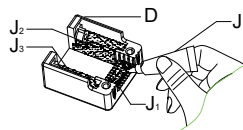
2



Insert Pin A into strip C.

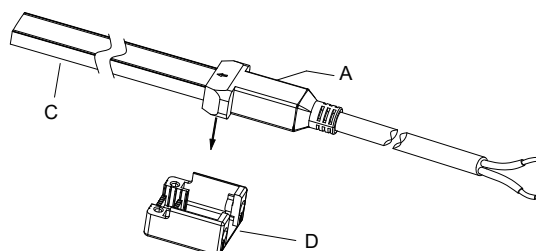
(Attention: Pin A must be inserted into the back of strip, the side marked with arrow should face upwards).

3



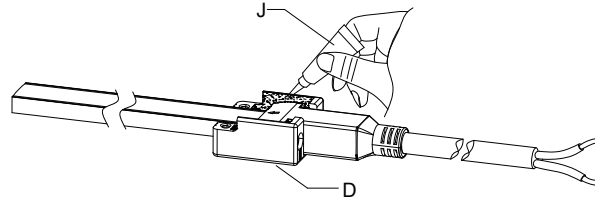
Filled silicon glue J into part J1, J2 and J3 of pedestal D.

4



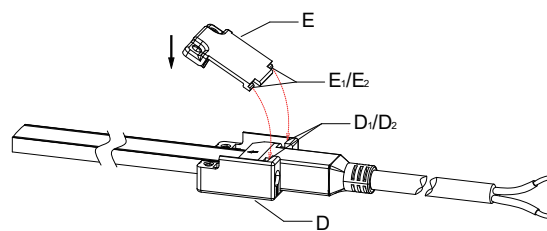
Press strip C and Pin A into the connector's pedestal D.

5



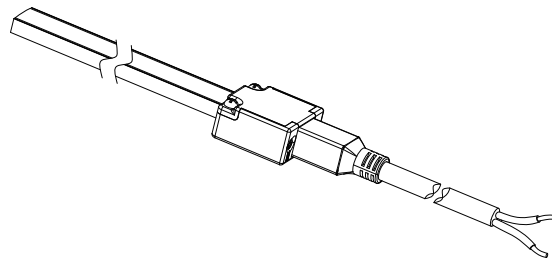
Filled silicon glue J into the empty space of pedestal D.

6



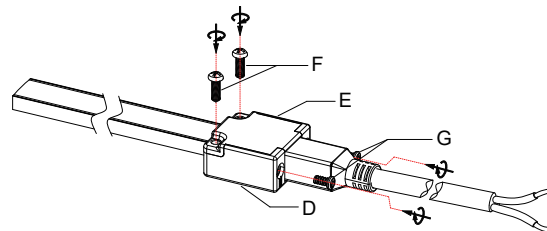
Press connector's cover E1 into pedestal D1, and E2 into D2.

8



Installation completed.

7

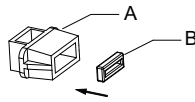


Lock Screw F first, next is screw G.

End cap connection for outdoor use

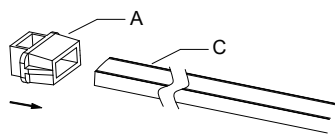
Attention: for step 2 and step 5, inside should be filled with silicone glue
(For bruk i tørre omgivelser er det ikke nødvendig å bruke silikon)

1



Put the rubber ring into plug A.

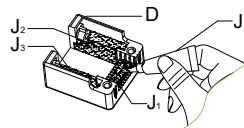
2



Insert Pin A into strip C.

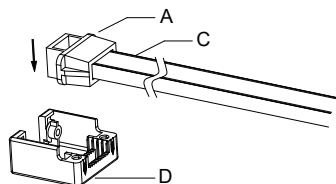
(Attention: Pin A must be inserted into the back of strip, the side marked with arrow should face upwards).

3



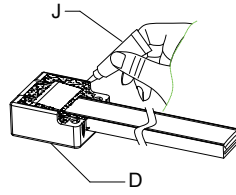
Filled silicon glue J into part J1, J2 and J3 of pedestal D.

4



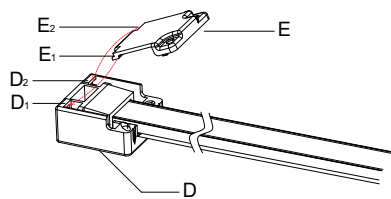
Press strip C and plug A into the connector's pedestal D.

5



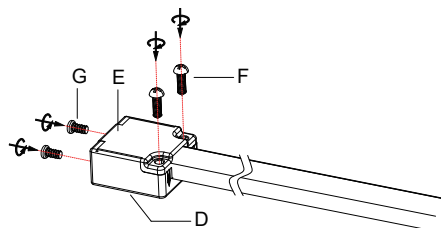
Filled silicon glue J into the empty space of pedestal D.

6



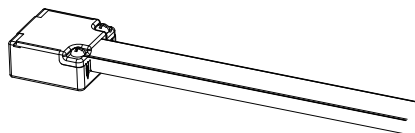
Press connector's cover E1 into pedestal D1, and E2 into D2.

7



Lock Screw F first, next is screw G.

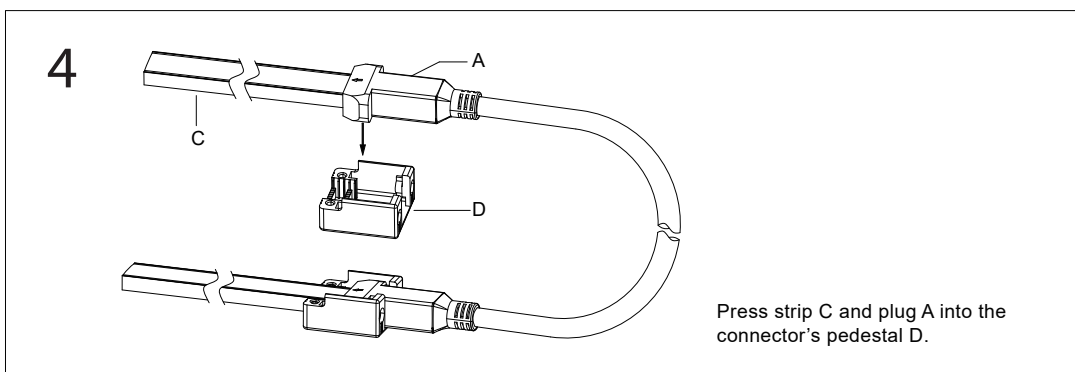
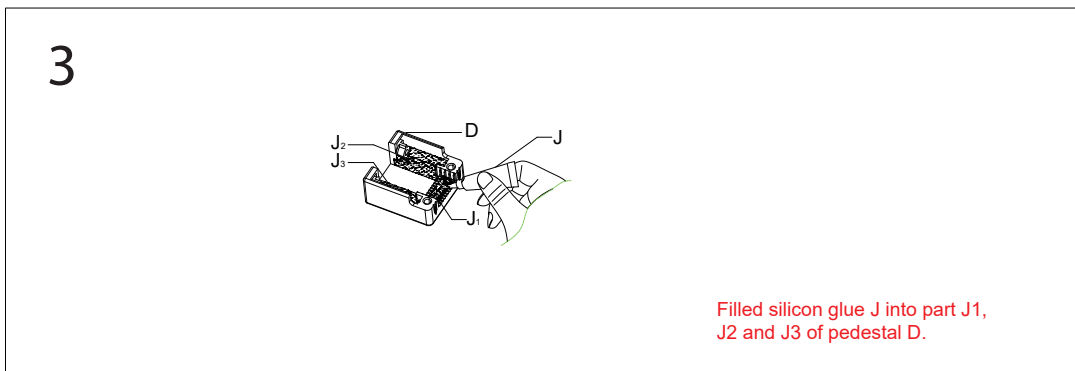
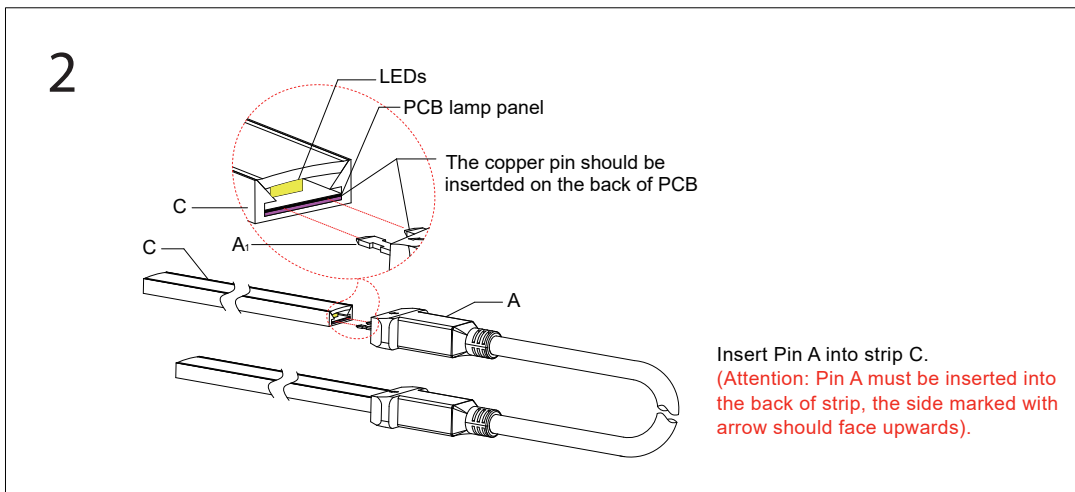
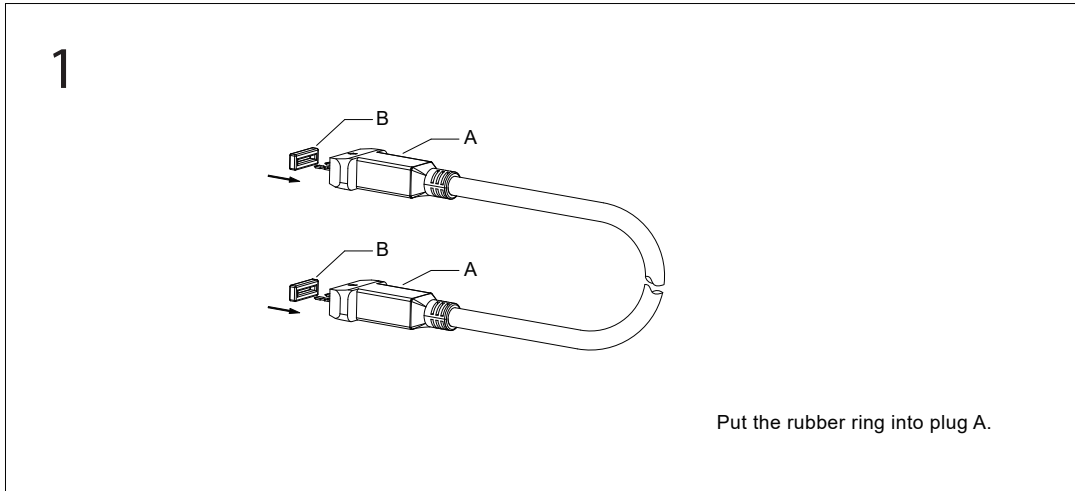
8

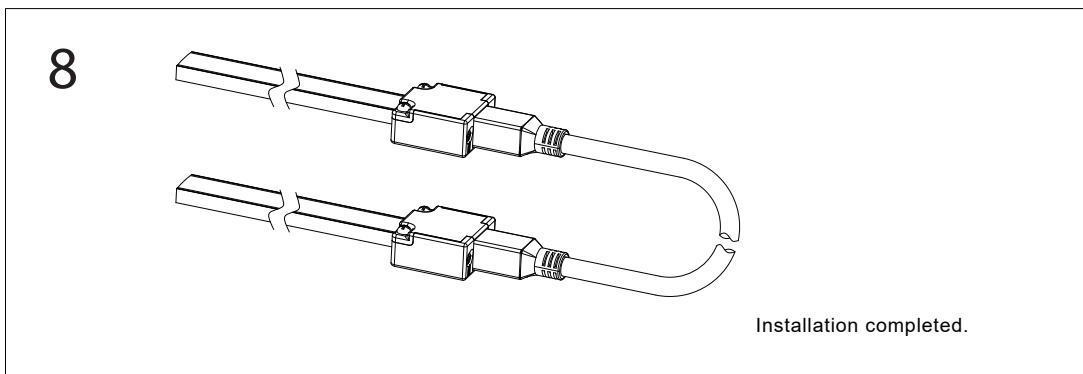
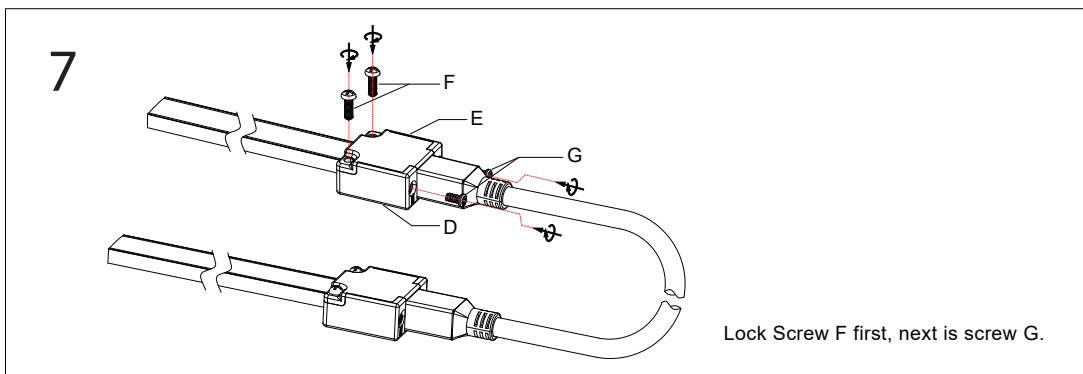
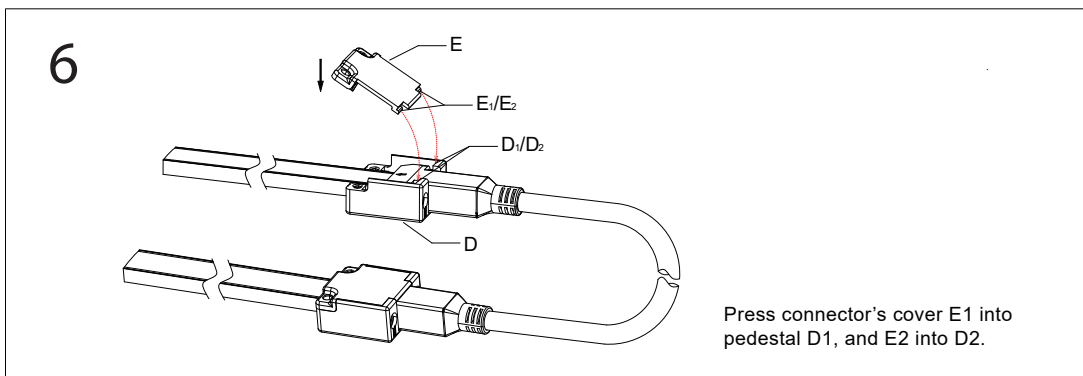
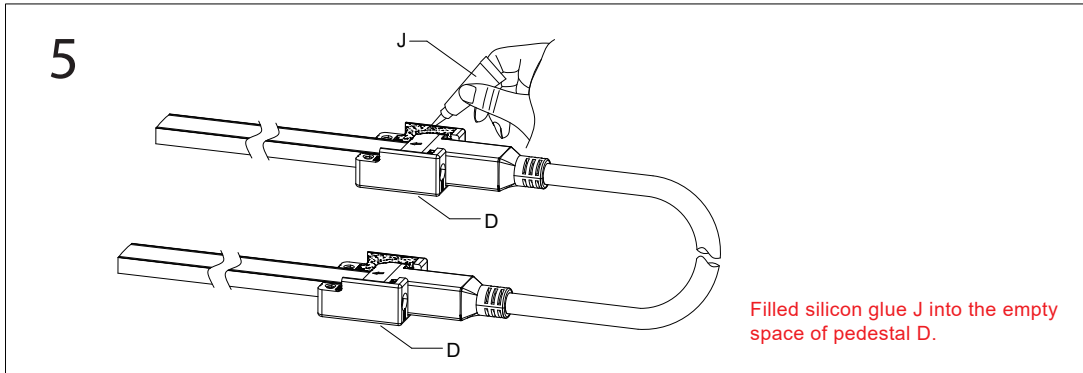


Installation completed.

Jumper connection for outdoor use

Attention:for step 2 and step 5,inside should be filled with silicone glue
(For bruk i tørre omgivelser er det ikke nødvendig å bruke silikon)





DIREKTRONIK

Direktronik AB tel. 08-52 400 700 www.direktronik.se